

4

3

2

1

REVISIONS				
ZONE	REV	DESCRIPTION	DATE	APPROVED

D

D

C

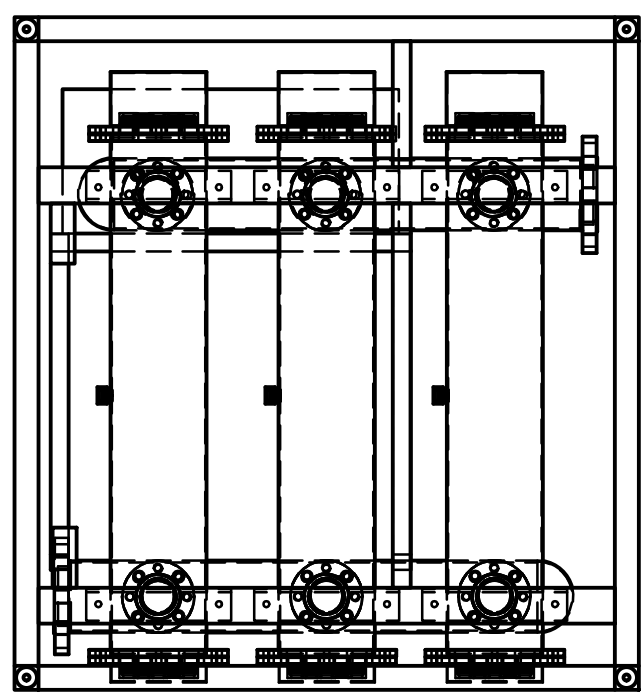
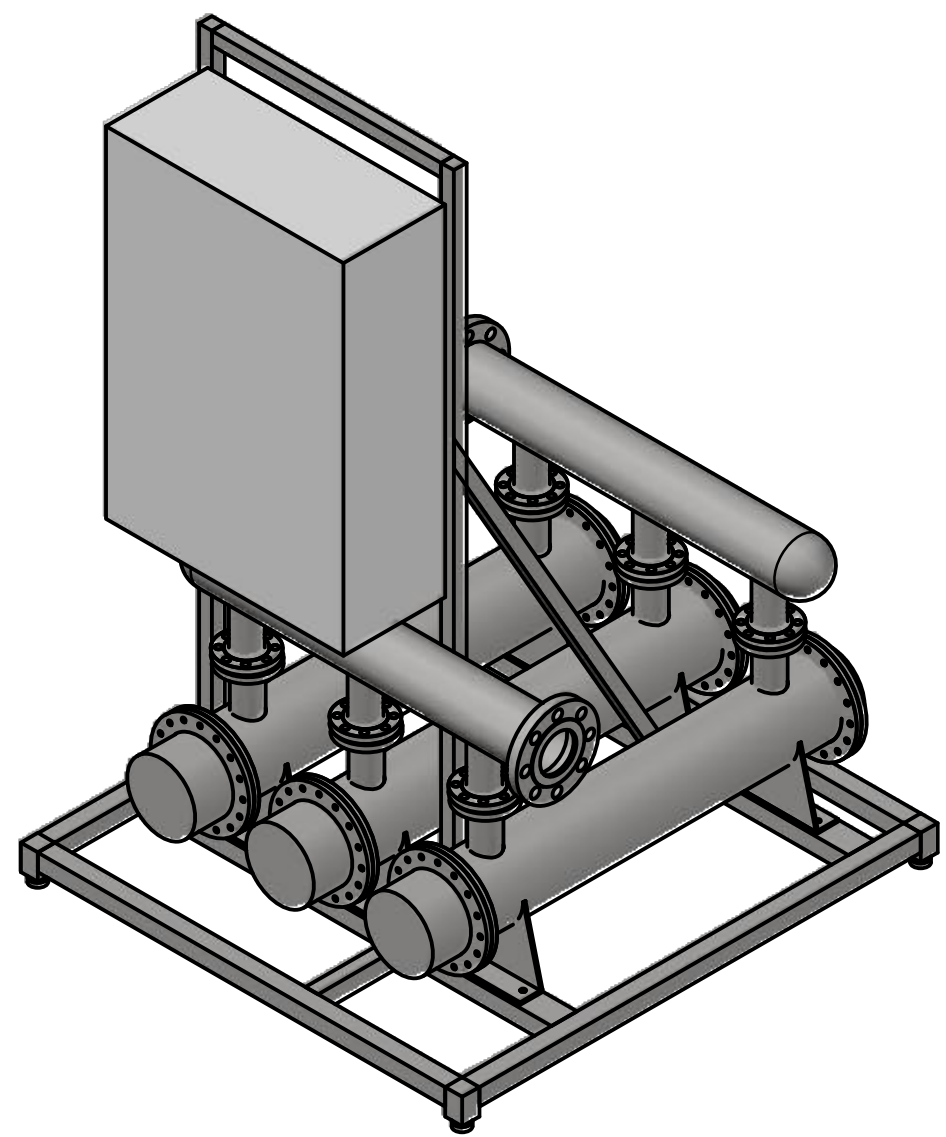
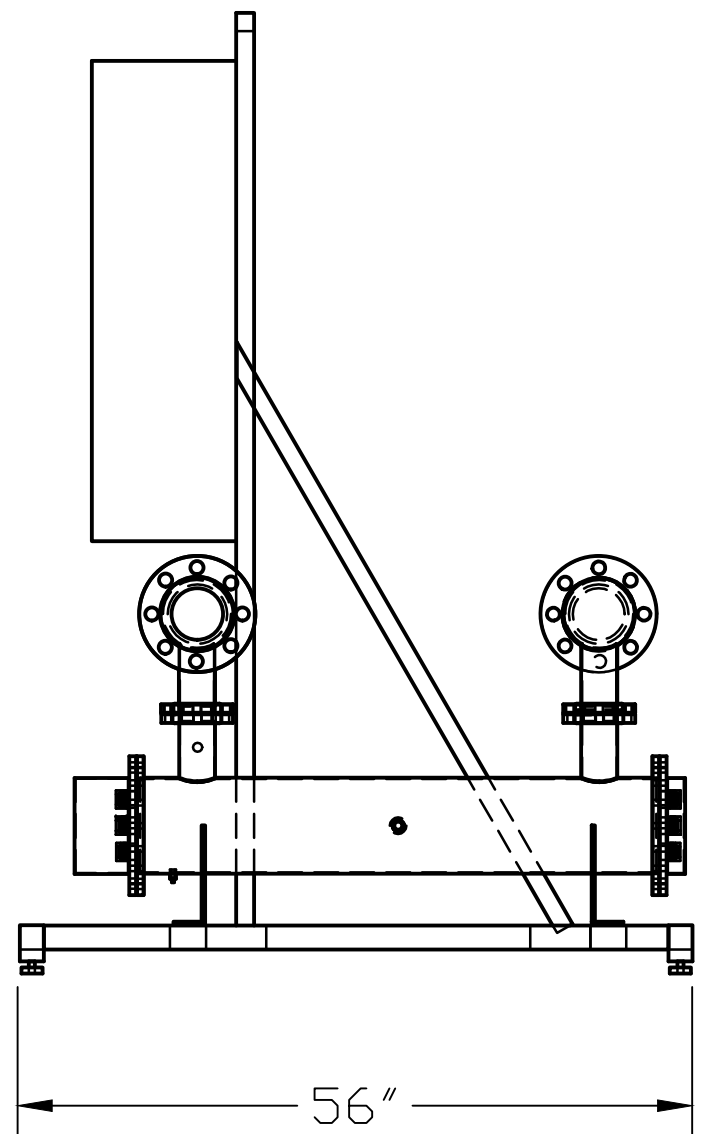
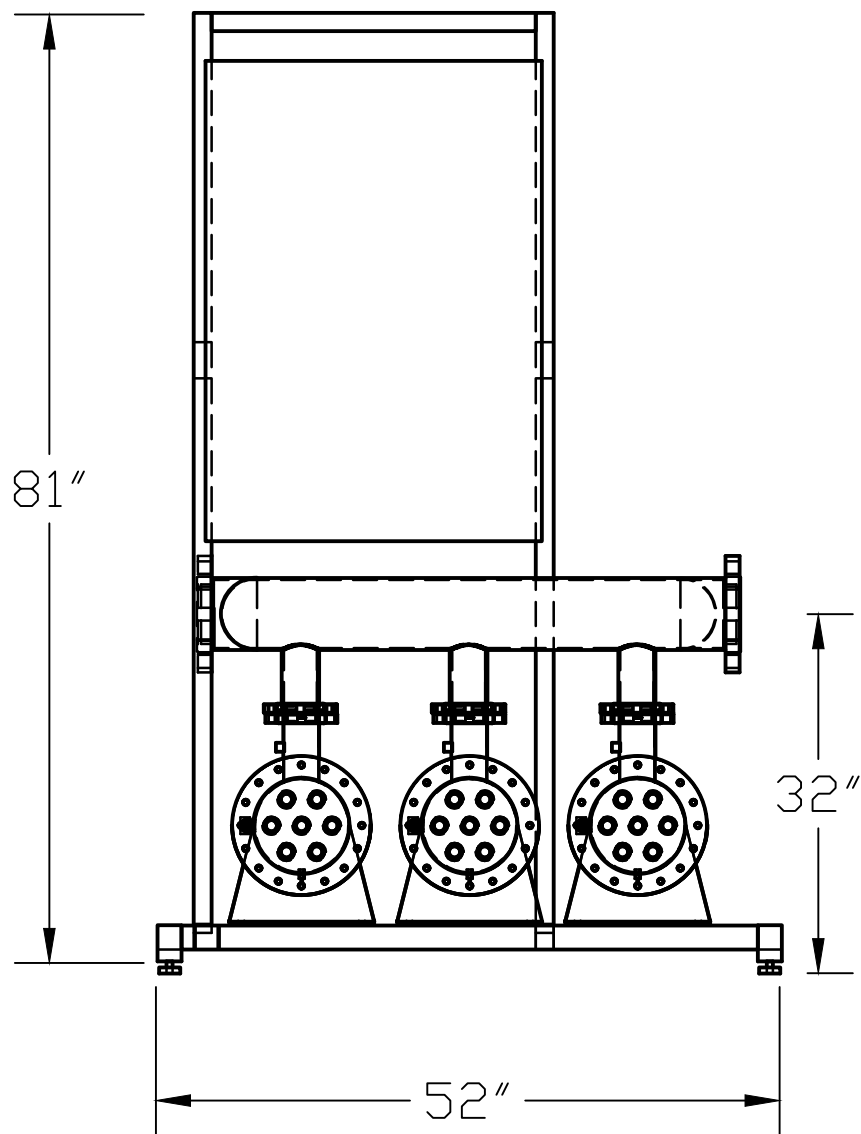
C

B

B

A

A



4

3

2

1

FILE NAME 07X3.dwg	
CONTRACT NO ###	
DRAWN 6/21/2021	
CHECK	
APPR.	
ISSUED	
SIZE	FSCM NO
	-
DWG NO	### - ###
REV	
SCALE 1:1	WEIGHT

WYCKOMAR INC.	
SKD-5007X3 Manifold	
SCALE 1:1	SHEET UV-5007X3