

## UV Purification Systems

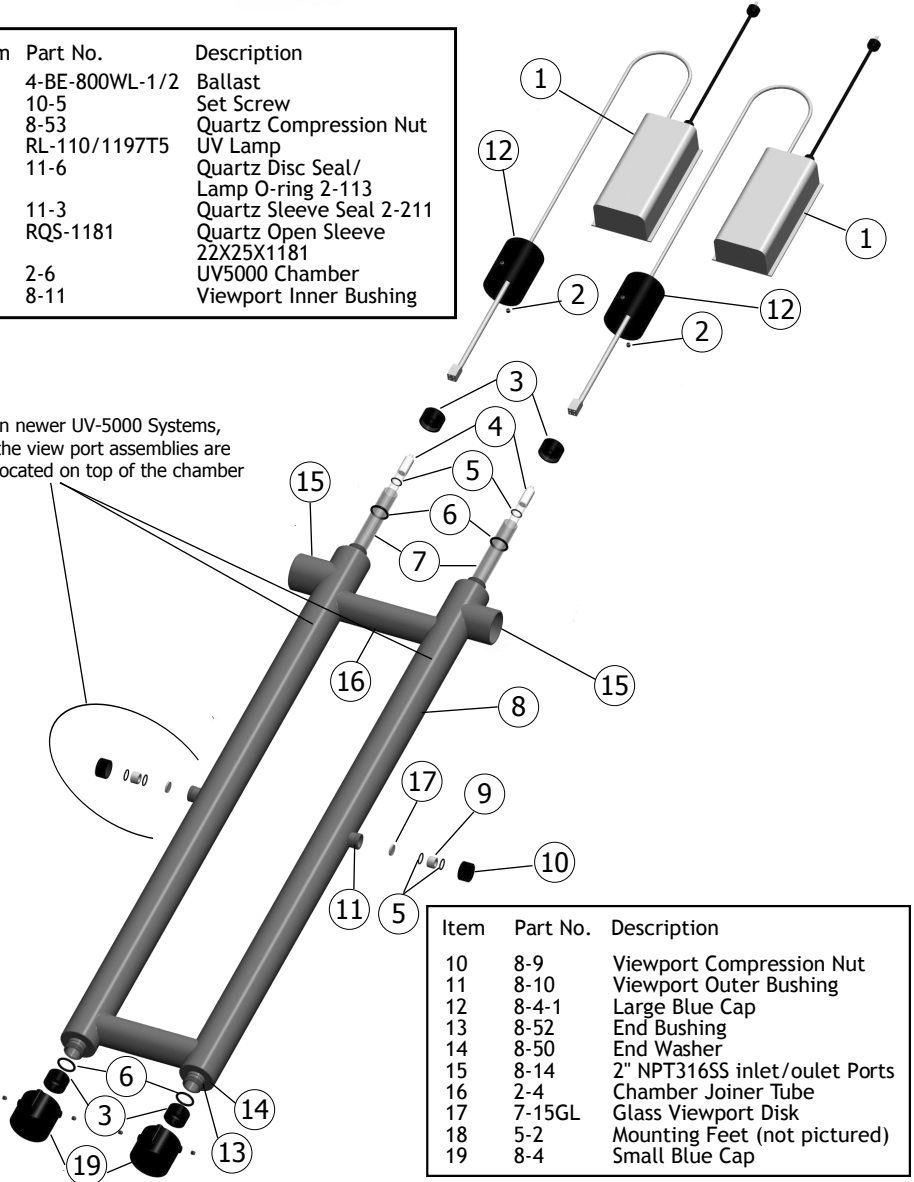
# UV-5000

Technical Info

## Exploded Diagram & Parts List

Item	Part No.	Description
1	4-BE-800WL-1/2	Ballast
2	10-5	Set Screw
3	8-53	Quartz Compression Nut
4	RL-110/1197T5	UV Lamp
5	11-6	Quartz Disc Seal/ Lamp O-ring 2-113
6	11-3	Quartz Sleeve Seal 2-211
7	RQS-1181	Quartz Open Sleeve 22X25X1181
8	2-6	UV5000 Chamber
9	8-11	Viewport Inner Bushing

in newer UV-5000 Systems,  
the view port assemblies are  
located on top of the chamber



Item	Part No.	Description
10	8-9	Viewport Compression Nut
11	8-10	Viewport Outer Bushing
12	8-4-1	Large Blue Cap
13	8-52	End Bushing
14	8-50	End Washer
15	8-14	2" NPT316SS inlet/outlet Ports
16	2-4	Chamber Joiner Tube
17	7-15GL	Glass Viewport Disk
18	5-2	Mounting Feet (not pictured)
19	8-4	Small Blue Cap