

## UV Purification Systems

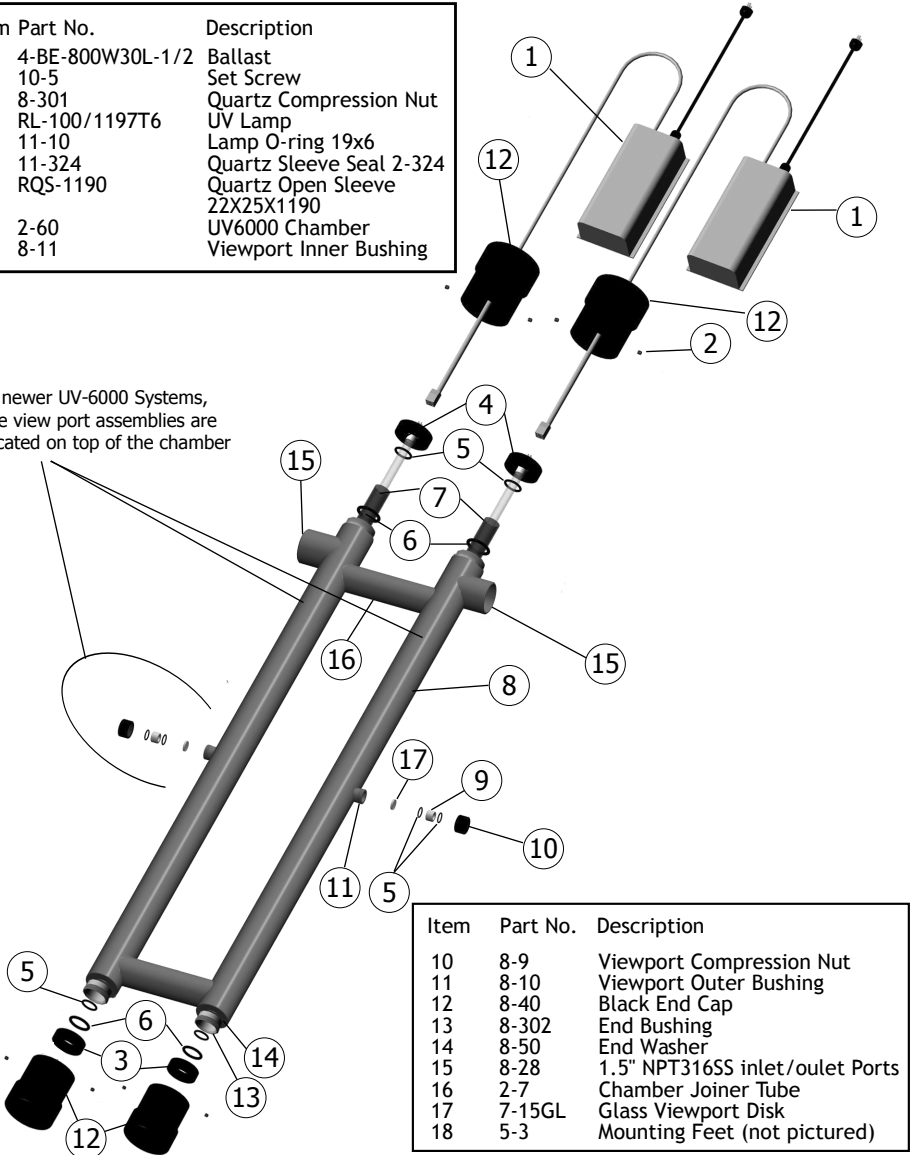
### UV-6000

Technical Info

### Exploded Diagram & Parts List

Item	Part No.	Description
1	4-BE-800W30L-1/2	Ballast
2	10-5	Set Screw
3	8-301	Quartz Compression Nut
4	RL-100/1197T6	UV Lamp
5	11-10	Lamp O-ring 19x6
6	11-324	Quartz Sleeve Seal 2-324
7	RQS-1190	Quartz Open Sleeve 22X25X1190
8	2-60	UV6000 Chamber
9	8-11	Viewport Inner Bushing

in newer UV-6000 Systems, the view port assemblies are located on top of the chamber



Item	Part No.	Description
10	8-9	Viewport Compression Nut
11	8-10	Viewport Outer Bushing
12	8-40	Black End Cap
13	8-302	End Bushing
14	8-50	End Washer
15	8-28	1.5" NPT316SS inlet/outlet Ports
16	2-7	Chamber Joiner Tube
17	7-15GL	Glass Viewport Disk
18	5-3	Mounting Feet (not pictured)