



UV Replacement Lamps, Quartz Sleeves

***Low Pressure Germicidal UV Lamps
Low Pressure Amalgam Lamps
GE214 Fused Quartz Sleeves and Domes***



SPECIFICATIONS

Wyckomar UV Replacement Lamps (T5 Only)

Part#	Length mm	Length in	Power Consumption	Current	Volts @ 60Hz	UVC Watts at 254nm	UVC /cm ² at 1M	Rated Life (Hrs)
RL-12/254T5	254	10.0	18 VA @ 110V 23 VA @ 230V	425 mA	38	3.5	30	11,000
RL-23/436T5	436	17.1	29 VA @ 110V 35 VA @ 230V	425 mA	66	7	69	11,000
RL-40/867T5	867	34.1	53 VA @ 110V 66 VA @ 230V	425 mA	115.9	14	144.6	11,000
RL-44/436T5	436	17.1	57 VA @ 110V 72 VA @ 230V	800 mA	60	13	120	11,000
RL-51/540T5	540	21.2		800 mA	72	17	160	11,000
RL-84/893T5	893	35.1	70 VA @ 110V 84 VA @ 230V	800 mA	120	30	270	11,000
RL-100/1197T6	1197	47.1	85 VA @ 110V 89 VA @ 230V	800 mA	160	35	300	11,000
RL-110/1197T5	1197	47.1	102 VA @ 110V 107 VA @ 230V	800 mA	176.6	36.9	315.4	11,000

Quartz Sleeves / Domes

Type	Fused Glass
Colour	Clear
Thermal Expansion	5.5 10 ⁻⁷ cm/ °C
Therm. Conductivity	1.4 W/m °C
Specific Heat	670 J/kg °C
Softening Point	1683 °C
Strain Point	1120 °C
Density	2.2 kg/m ³
Refraction Index	1.4585

Other types of UV lamps not listed here are available upon request:

T8 Lamp (2pin Double-Ended)

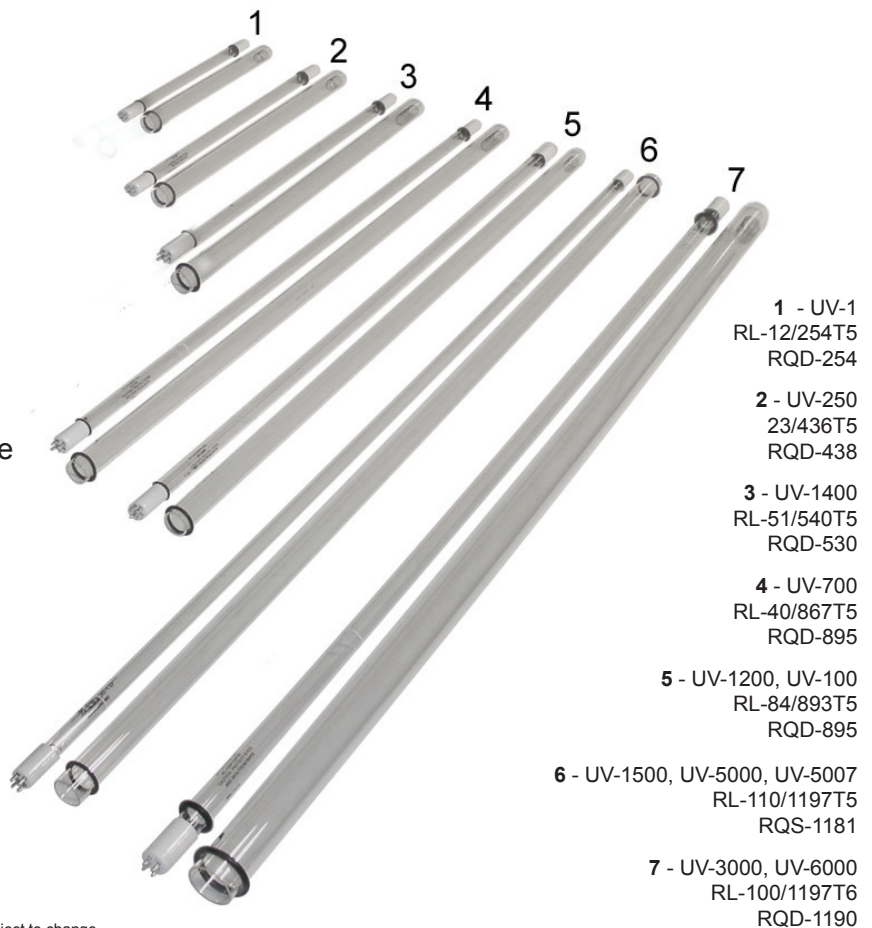
T8 Lamps have been discontinued

T12 Lamp (2pin Double-Ended)

RL-30/60T12

Amalgam UV Lamp

RL-172/843T6HVA



1 - UV-1
RL-12/254T5
RQD-254

2 - UV-250
23/436T5
RQD-438

3 - UV-1400
RL-51/540T5
RQD-530

4 - UV-700
RL-40/867T5
RQD-895

5 - UV-1200, UV-100
RL-84/893T5
RQD-895

6 - UV-1500, UV-5000, UV-5007
RL-110/1197T5
RQS-1181

7 - UV-3000, UV-6000
RL-100/1197T6
RQD-1190

Specifications may be subject to change

